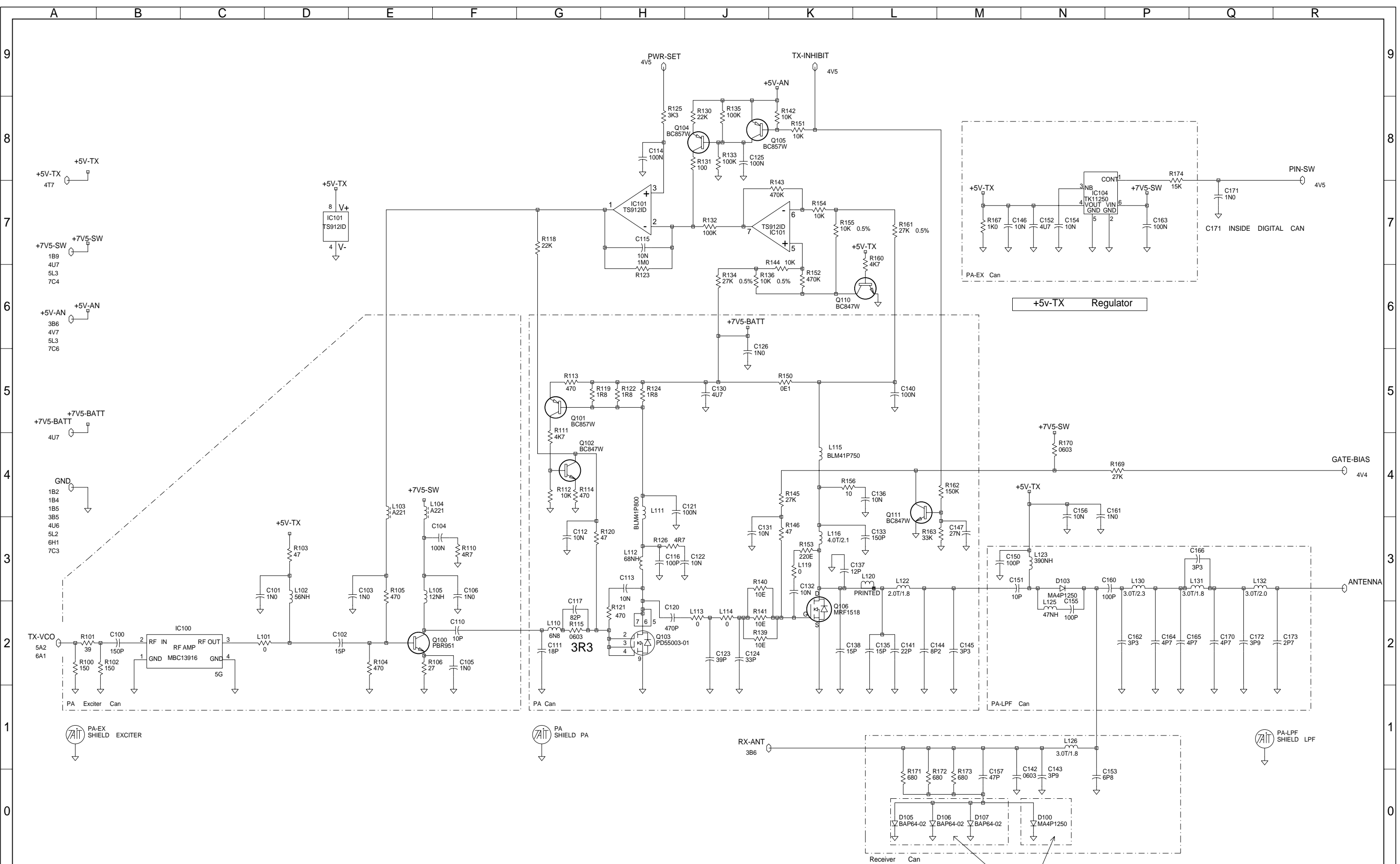


05B	CCO	1603/009	CM			02/02/00
05A	CCO	1603-008	TS			15-12-99
04B	CCO	1603/007	TS			18-11-99
04A	CCO	1603/004	CJK			05/11/99
03A	CCO	1603/003	CJK	SP	09A	6/10/99
02A	CCO	1603/001 & 002	CJK		08A	24/09/99
01A	NEW PA FOR 400-470 MHZ		CJK	JJ	07A	10/06/99

09A	DCO	NO.	1603-012	BRD		19-04-02
08A	CCO.	NO.	1603-011	BRD		26-01-01
07A	CCO.	NO.	1603-010	BRD		23-02-01

REV/ISS	AMENDMENTS	DRAWN	CHKD	D.O.	APVD	DATE	REV/ISS	AMENDMENTS	DRAWN	CHKD	D.O.	APVD	DATE
---------	------------	-------	------	------	------	------	---------	------------	-------	------	------	------	------

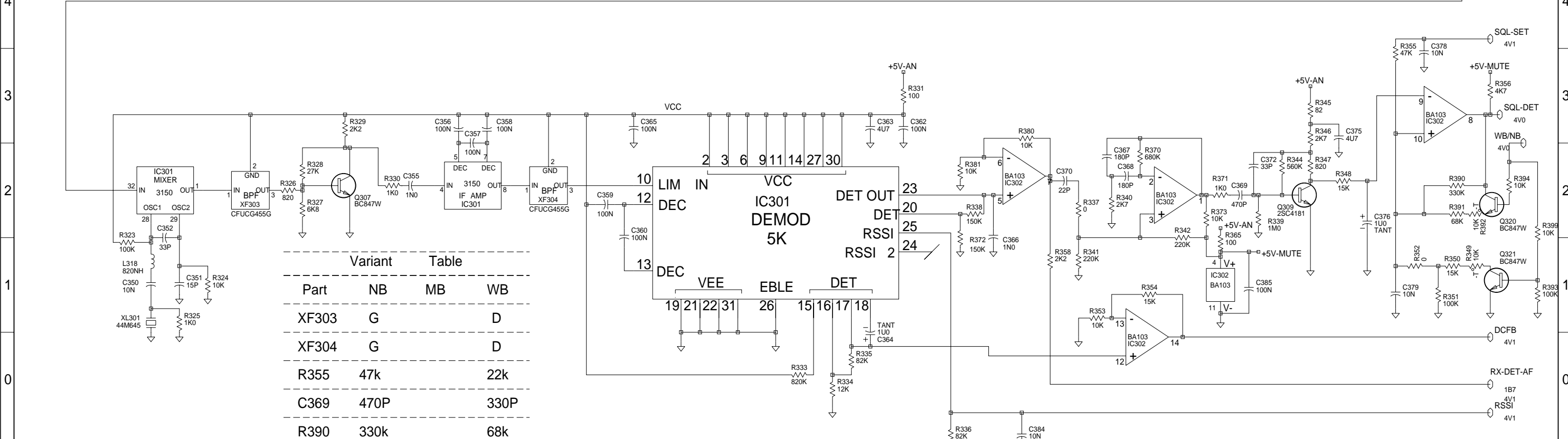
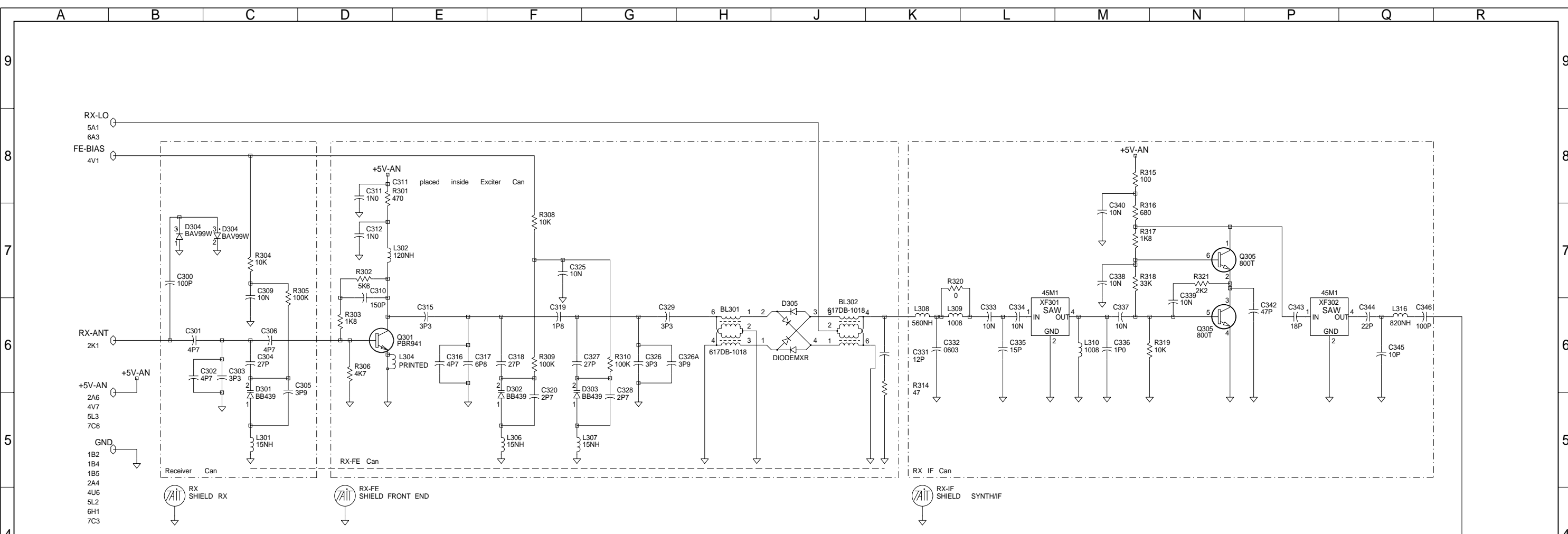
© TAIT ELECTRONICS
 ORCA : 400-470MHZ SYSTEM DIAGRAM
 PROJECT: 220-01603-09
 DESIGNER: ORCA
 FILE NAME: 160309a
 ISSUE: A
 FILE DATE: 19-Apr-02
 ID: 2.SC. 1
 NO.SHEETS: 7



DUAL PLACEMENT Place Either Or
Place D105, D106, D107 or Only D100

© TAIT ELECTRONICS
 ORCA : 400-470MHZ
 POWER AMPLIFIER
 IPN: 220-01603-09 ISSUE: A 2.S.C. 2
 PROJECT: ORCA DESIGNER: BRD FILE NAME: 160309a FILE DATE: 19-Apr-02 NO.SHEETS: 7

REV/ISS	AMENDMENTS	DRAWN	CHKD	D.O.	APVD	DATE
A						



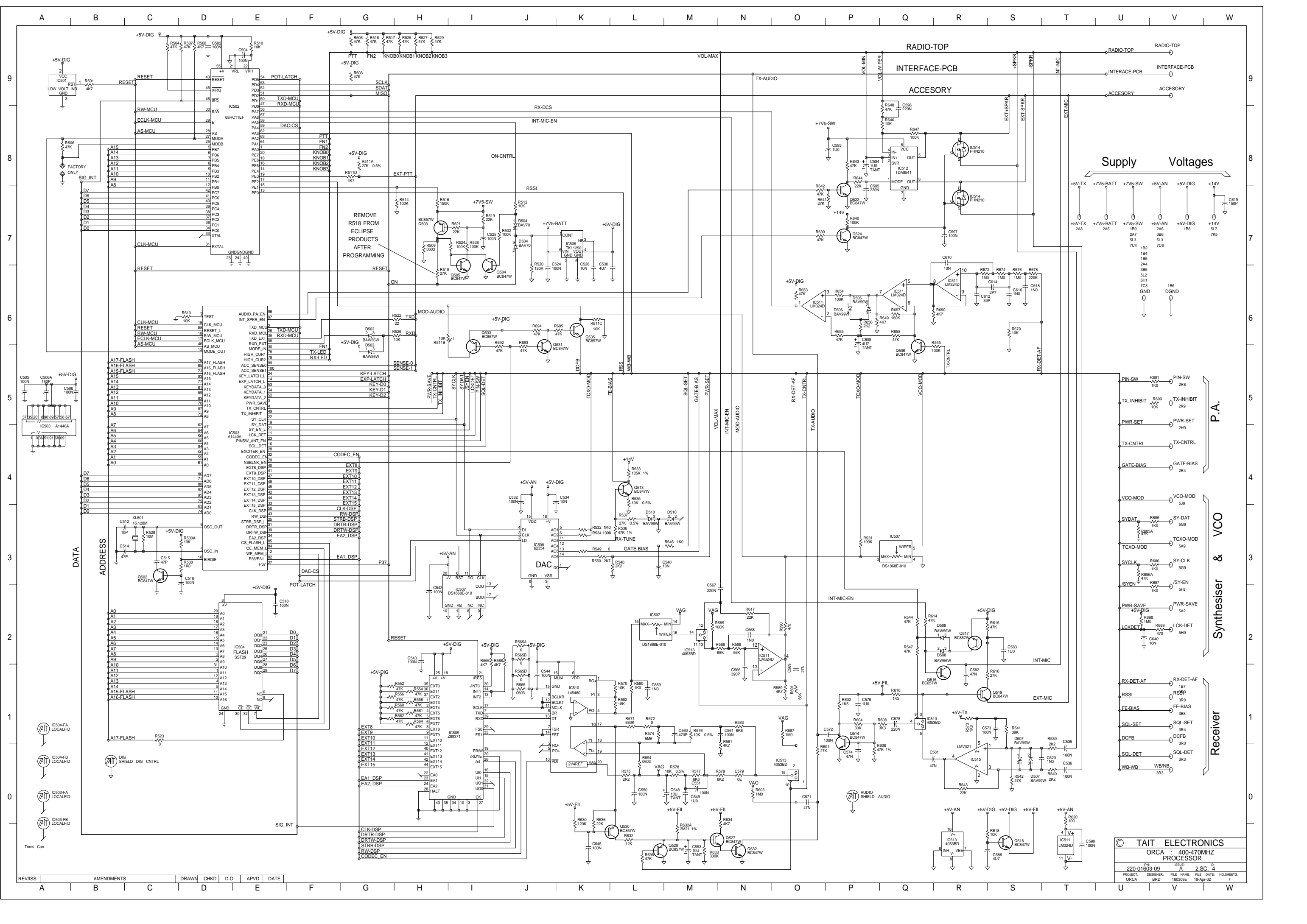
Variant Table

Part	NB	MB	WB
XF303	G		D
XF304	G		D
R355	47k		22k
C369	470P		330P
R390	330k		68k

© TAIT ELECTRONICS
 ORCA : 400-470MHZ RECEIVER

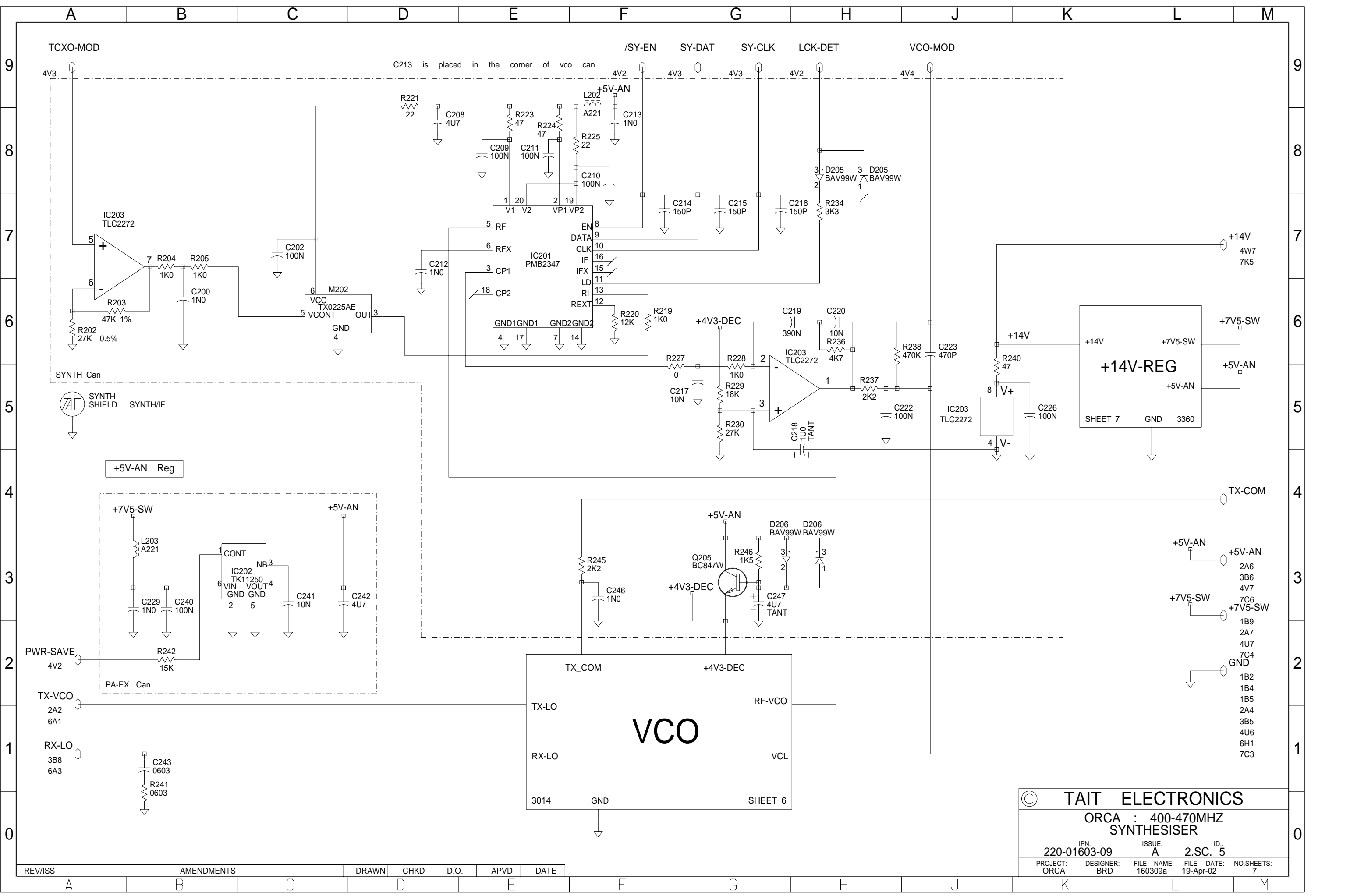
IPN: 220-01603-09 ISSUE: A 2.SC. 3 ID:
 PROJECT: ORCA DESIGNER: BRD FILE NAME: 160309a FILE DATE: 19-Apr-02 NO.SHEETS: 7

REV/ISS	AMENDMENTS	DRAWN	CHKD	D.O.	APVD	DATE



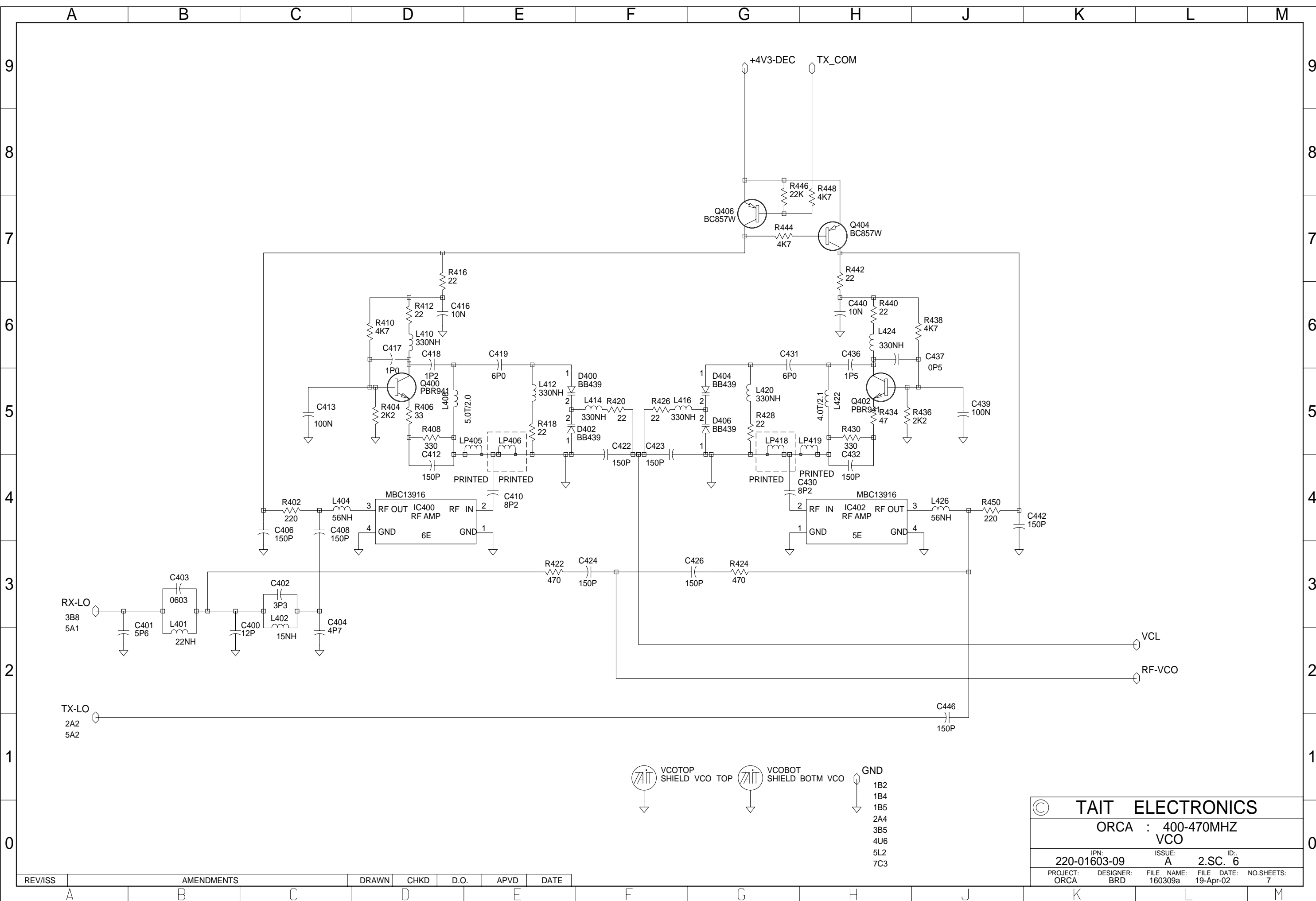
© TAIT ELECTRONICS
 ORCA - 400-470MHZ
 PROCESSOR
 220-01603-09
 FILE NAME: 160309A
 19-Apr-02

REV/ISS	AMENDMENTS	DRAWN	CHKD	D.O.	APVD	DATE
A	B	C	D	E	F	G



© TAIT ELECTRONICS
 ORCA : 400-470MHZ SYNTHESISER
 IPN: 220-01603-09 ISSUE: A ID: 2.S.C. 5
 PROJECT: ORCA DESIGNER: BRD FILE NAME: 160309a FILE DATE: 19-Apr-02 NO.SHEETS: 7

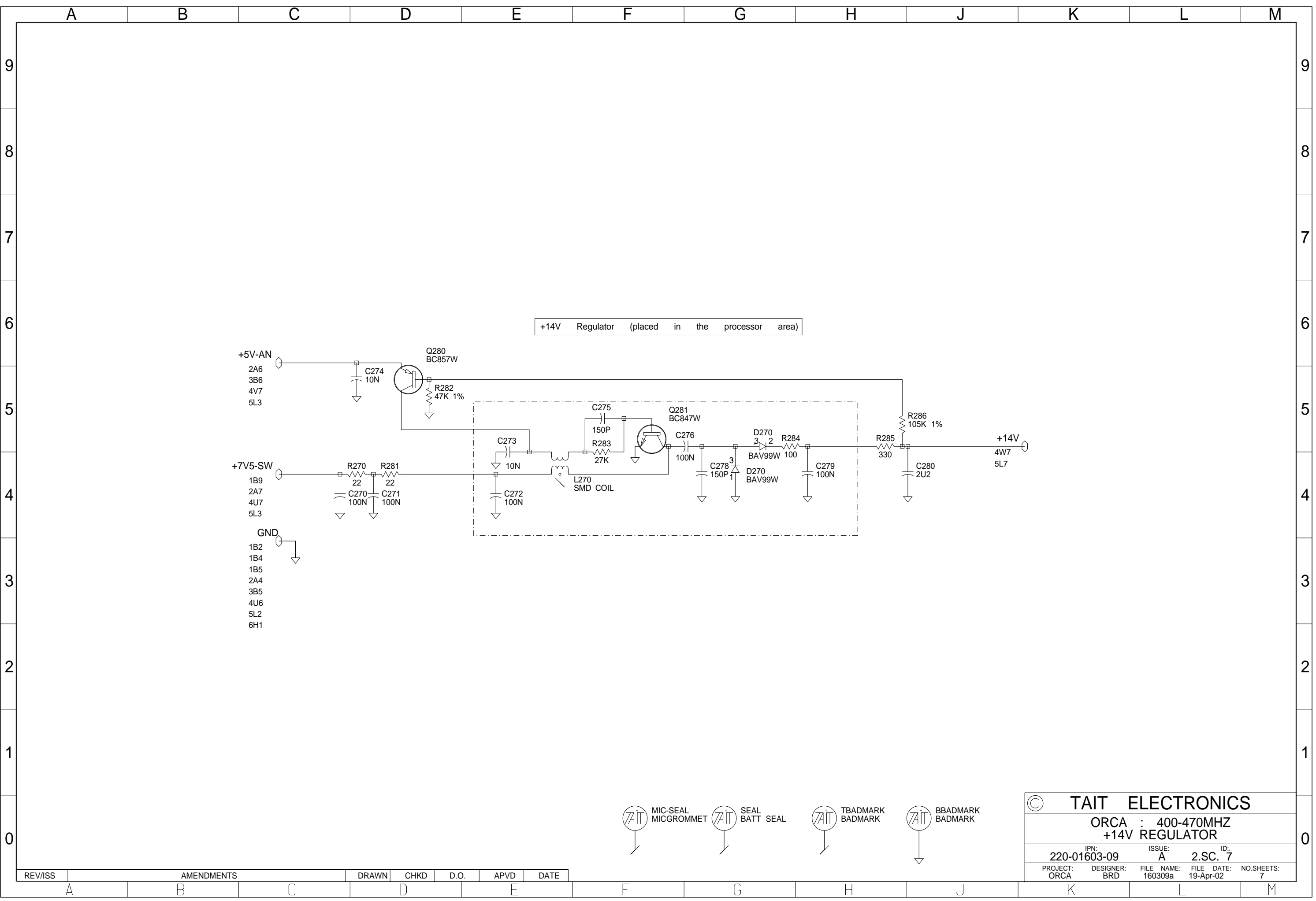
REV/ISS	AMENDMENTS	DRAWN	CHKD	D.O.	APVD	DATE



© TAIT ELECTRONICS
 ORCA : 400-470MHZ
 VCO

IPN: 220-01603-09	ISSUE: A	ID: 2.S.C. 6
PROJECT: ORCA	DESIGNER: BRD	FILE NAME: 160309a
	FILE DATE: 19-Apr-02	NO.SHEETS: 7

REV/ISS	AMENDMENTS	DRAWN	CHKD	D.O.	APVD	DATE





+14V Regulator (placed in the processor area)

+5V-AN
2A6
3B6
4V7
5L3

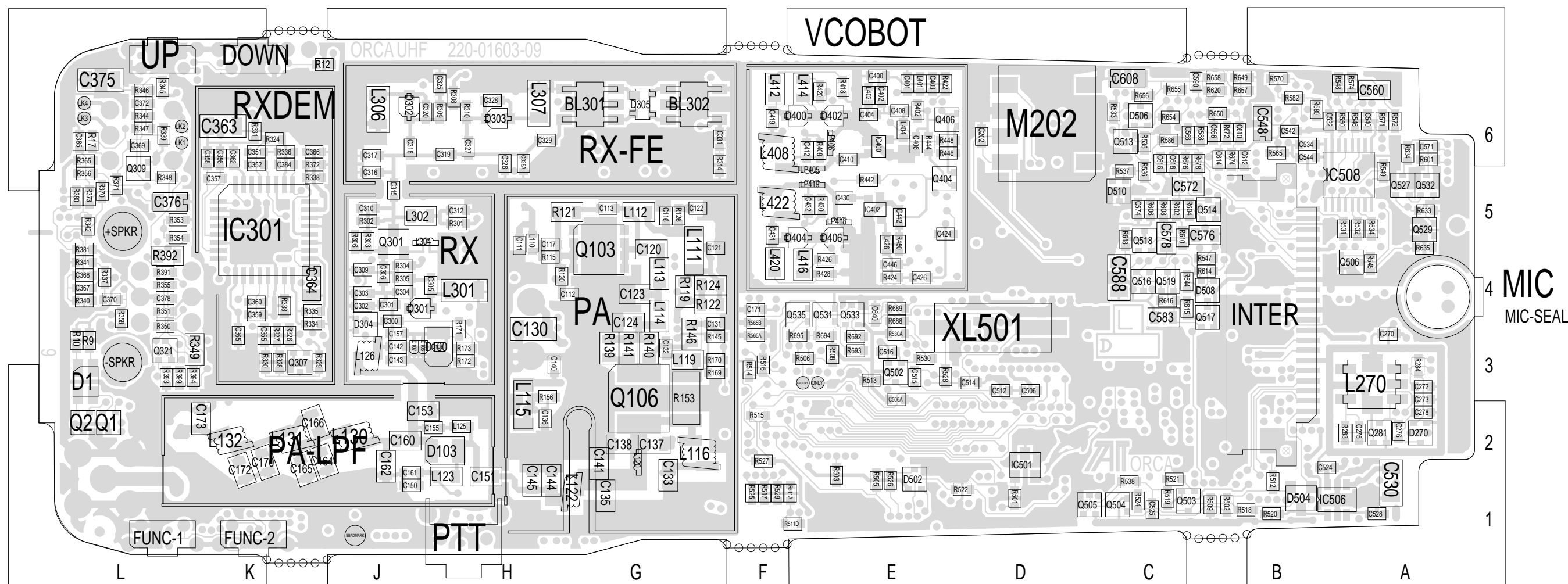
+7V5-SW
1B9
2A7
4U7
5L3

GND
1B2
1B4
1B5
2A4
3B5
4U6
5L2
6H1

© TAIT ELECTRONICS
 ORCA : 400-470MHZ
 +14V REGULATOR
 IPN: 220-01603-09 ISSUE: A ID: 2.SC. 7
 PROJECT: ORCA DESIGNER: BRD FILE NAME: 160309a FILE DATE: 19-Apr-02 NO.SHEETS: 7

-  MIC-SEAL MICGROMMET
-  SEAL BATT SEAL
-  TBADMARK BADMARK
-  BBADMARK BADMARK

REV/ISS	AMENDMENTS	DRAWN	CHKD	D.O.	APVD	DATE
A						
B						
C						
D						
E						



TAIT ELECTRONICS IPN: 220-01603-09 ISS: A ID: 6.BA DATE: 19 Apr 2002

ORCA UHF PCB LAYOUT - BOTTOM SIDE